

General-Purpose AC Servo MELSERVO-J3

Servo Motor HF-MP Series

The ultra-low inertia, small capacity motor series, HF-MP has been introduced into the MELSERVO-J3 series.

The HF-MP series are high speed, ultra-low inertia motors with high resolution encoders 262,144 [pulses / rev] (18-bit).

For small capacity motor needs, the HF-MP and HF-KP series are now available. These two series allow selection of a specific motor according to purpose.

The HF-MP series is smaller than the existing HC-MFS series so overall space can be reduced.

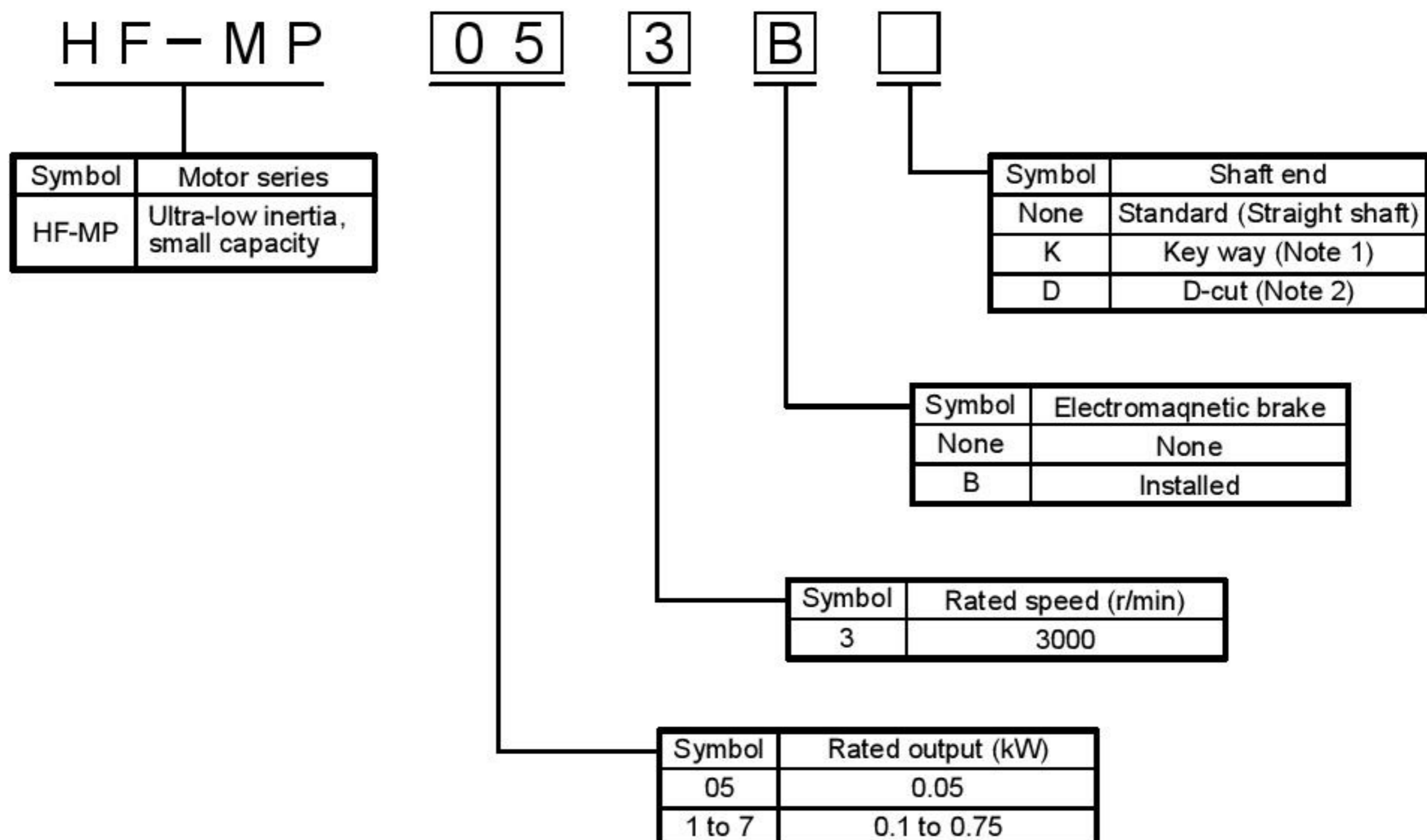
The HF-MP series are suitable for high duty profile applications such as inserters or mounters.

The HF-MP series also conforms to global standards (EN, UL, cUL standards).

Used in food mixer, food crusher



Model configurations



Notes : 1. 200W or larger capacity HF-MP □ K has a key.
2. D-cut is available for 100W or smaller capacity.